

Advme7501

PowerPC750 CPU Board

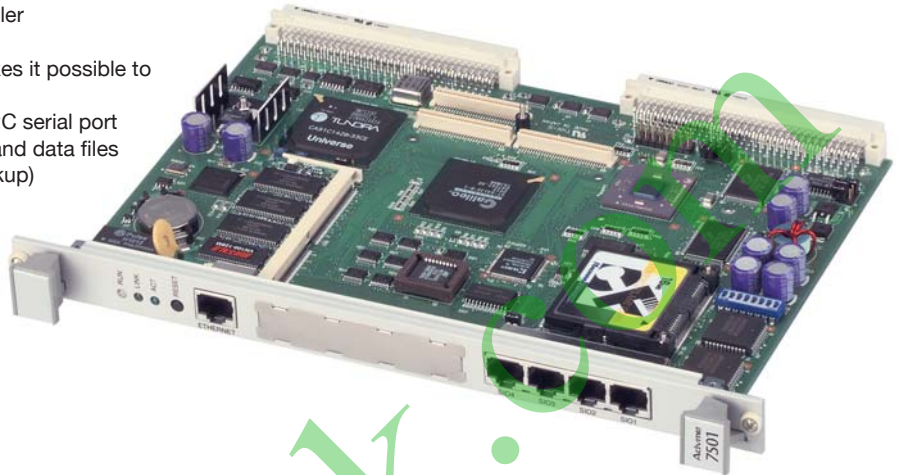


Advme7501

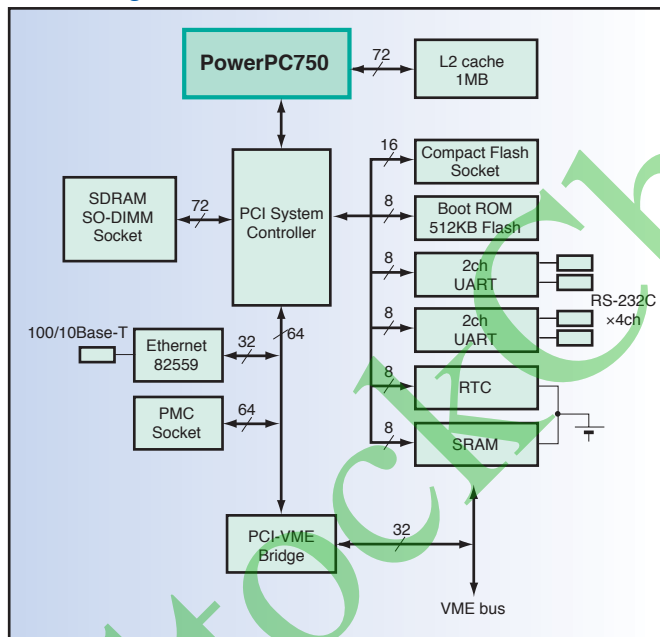
PowerPC750 CPU Board

Features

- VME bus compatible CPU board with PowerPC750
- VME Bus Master/Slave function with a system controller
- Size flexibility with a socket for SO-DIMM (SDRAM)
- Dual-port RAM accessible from VME Bus Master makes it possible to use the main memory as a share memory
- 10/100Base-T Ethernet port and four-channel RS-232C serial port
- CompactFlash socket to store application programs and data files
- 512KBytes of SRAM and real-time clock (battery backup)
- PMC slot for easy I/O expansion
- VxWorks BSP support



Block diagram



Model

- Advme7501-M750(333): Motorola PPC750-333MHz
- Advme7501-I750(300): IBM PPC750-300MHz (build-to-order)
- Advme7501-I750(400): IBM PPC750-400MHz (build-to-order)
- Advme7501-I750(500): IBM PPC750-500MHz (build-to-order)
- * SO-DIMM and CompactFlash are optional for all models.

Specifications

- CPU & Memory**
 - CPU : PowerPC750
 - L2 cache : 1MByte
 - SDRAM : SO-DIMM socket (ECC function support)
 - * Memory module (SO-DIMM) is optional.
 - Internal bus : 66MHz
 - CompactFlash : 3.3V module support
 - * CompactFlash module is optional.
 - SRAM : 512KBytes 8-bit data (battery backup)
 - Flash : 512KBytes 8-bit data (for booting)
 - EEPROM : 256Bytes
- Peripheral**
 - 10/100Base-T Ethernet, INTEL 82559, RJ-45 connector
 - Four-channel RS-232C
 - Real-time Clock EPSON RTC62423 (battery backup)
 - WDT
 - 8-bit DSW
 - One PMC slot
- Bus interface**
 - VME bus : TUNDRA-made Universe IIB PCI-VME bus bridge
 - A32/A24/A16 D32/D16/D08(E0)
 - Bus Master/Slave function
 - Interrupter / Interrupt handler function
- Power requirements : 5V**
- Board size**
 - 160mm x 233.35mm x 20mm (excluding protrusions)
 - Double height and single slot width
- Operating environment**
 - Operating temperature range : 0 to 60°C
 - Storage temperature range : -10 to 70°C
 - Operating humidity range : 35 to 85% RH (non-condensing)
 - Storage humidity range : Up to 90% RH (non-condensing)



HUMAN ELECTRONICS

Advanet Inc.

www.advantec.co.jp

Note: The following specifications and product appearance are subject to change for enhancement without notice.



ISO9001
Certification: No.4016-1995-AQ-KOB-RvA

ISO14001
Certification: No. EMSC-1426

Headquarters 616-4, Tanaka, Okayama 700-0951 JAPAN
TEL +81-86-245-2861 FAX +81-86-245-2860

Tokyo Branch 3F, Hayakawa No.3 Building, 2-2Kanda-Tacho, Chiyoda-ku, Tokyo 101-0046 JAPAN
TEL +81-3-5294-1731 FAX +81-3-5294-1734